

QDHC9-100-520-K2

0.1~0.52GHz, 200W

Features:

- * Broadband
- * High Power
- * Low Insertion Loss

Applications:

- * Amplifiers
- * Transmitter
- * Laboratory Test
- * Radar

Electrical

Frequency:	0.1~0.52GHz
Insertion Loss:	0.45dB max.
VSWR:	1.3 max.
Isolation:	17dB min.
Amplitude Balance:	±0.75dB max.
Phase Balance:	±5° max.
Average Power:	200W

Mechanical

Size: 83.82*38.1*7.32mm
3.3*1.5*0.288in

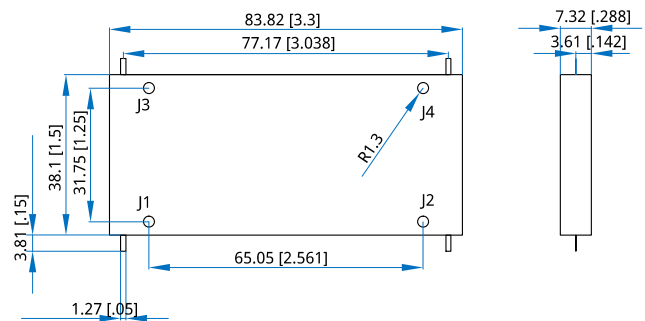
Port Configuration

Input	J1	J2	J3	J4
J1	-	Isolation	0°	-90°
J2	Isolation	-	-90°	0°
J3	0°	-90°	-	Isolation
J4	-90°	0°	Isolation	-

Environmental

Operating Temperature: -55~+85°C

Outline Drawings



Unit: mm [in]

Tolerance: ±0.5mm [±0.02in]

How To Order

QDHC9-100-520-K2

Customization is available upon request.